

AAR

High Speed ARCNET to ARCNET Router



Part of Automated Logic's WebCTRL® system, the AAR is designed to expand or segment high speed ARCNET 156 Kbps networks. AAR's can be installed on control networks using ME, SE and ZN controllers that use native BACnet® communications. Conveniently housed in a rugged and compact enclosure for panel mounting, the AAR is designed with two ARCNET 156 Kbps communication ports.

Key Features and Benefits

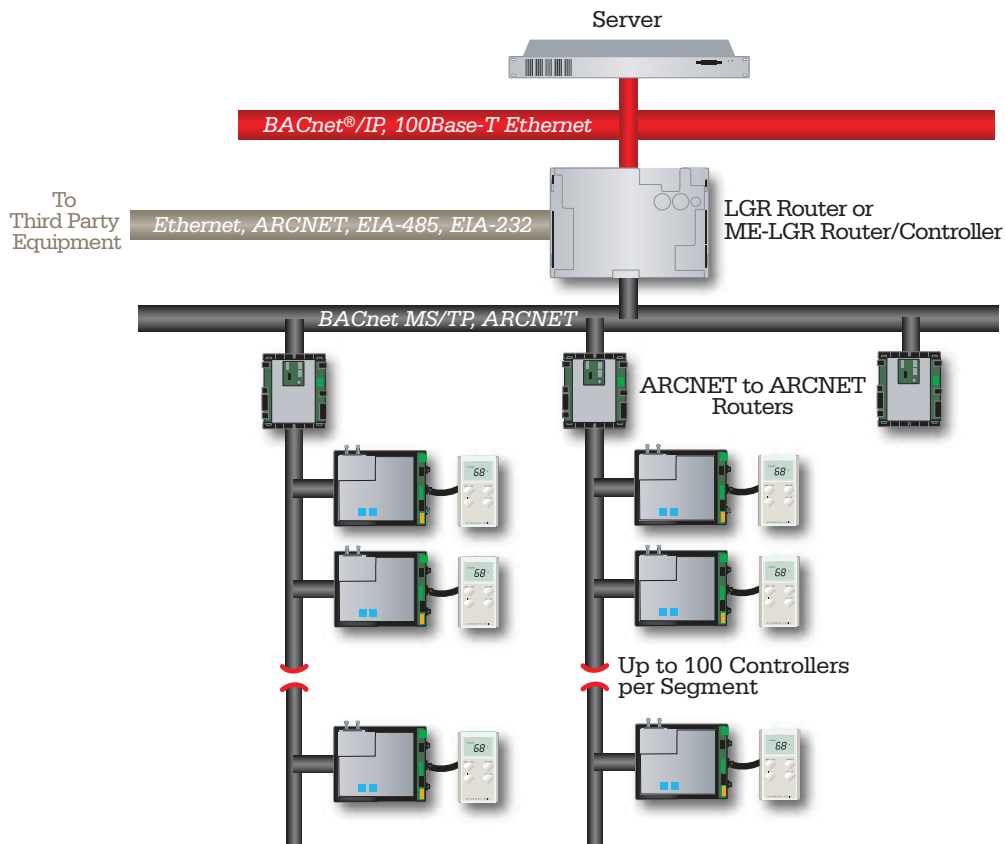
- Two isolated high speed ARCNET 156 Kbps communication ports offering cost effective expansion of ARCNET control networks.
- Expands number of controllers that may be routed through an LGR, ME-LGR or ME Ethernet router/expandable controller.
- Allows segmentation of control networks for maintenance and redundant configurations.
- Rotary DIP switches for ease of setting network addresses.
- Built-in surge and transient protection for ARCNET control networks.
- Compact and rugged plastic enclosure for easy panel mounting.



AUTOMATEDLOGIC

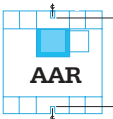
AAR

Specifications



Communication:	Two following ports are available on the module: EIA-485 port for ARCNET 156 Kbps. Local access port for system start-up and troubleshooting.
Microprocessor:	High speed 16-bit microprocessor with two ARCNET communication co-processors.
Memory:	512 KByte non-volatile battery-backed RAM, 1 MByte Flash memory, 16-bit memory bus. (Shelf life of the battery is 10 years with 10,000 hours of continuous operation.)
Status Indicators:	LED status indicators for EIA-485 communication, running, error, power and all binary outputs.
Real-time Clock:	Battery-backed real-time clock.
Listed by:	UL916 (Canadian Std C22.2 No. 205-M1983), CE, FCC Part 15 – Subpart B –Class A.
Environmental Operating Range:	0°F to 130°F (-17.8°C to 54.4°C); 10-90% relative humidity, non-condensing. NOTE: Control modules must be installed within the building.
Power Requirements:	24V-ac \pm 10%, 26V-dc (25 V min, 30 V max), 50-60Hz, 20VA.
Physical:	Rugged GE C2950 Cyclopol plastic.
Surge Protection:	IEC 1000-4-2, IEC 1000-4-3, IEC 1000-4-4, IEC 1000-4-5 and CISPR22.

Dimensions :



Mounting hole spacing 5-9/16".

Overall

Width: 5-1/16" (129mm)
Height: 5-11/16" (144mm)
Depth: 1-1/2" (38mm) min.
panel depth

Mounting

Two mounting holes center line as at left with 5-5/16" (135mm) spacing (height).