

FIBER485

Fiber Optic Network Interface



The FIBER485 and FIBER485T allow the use of fiber optic cable to extend the range of an ARCNET 156 Kbps or Legacy CMnet. The maximum length of cable between FIBER485 modules depends upon the quality of the cable and the number of connectors and splices, but runs of over 2500 ft. are possible. The FIBER485T has two fiber optic ports, allowing it to be used as a fiber to fiber repeater.

Key Features and Benefits

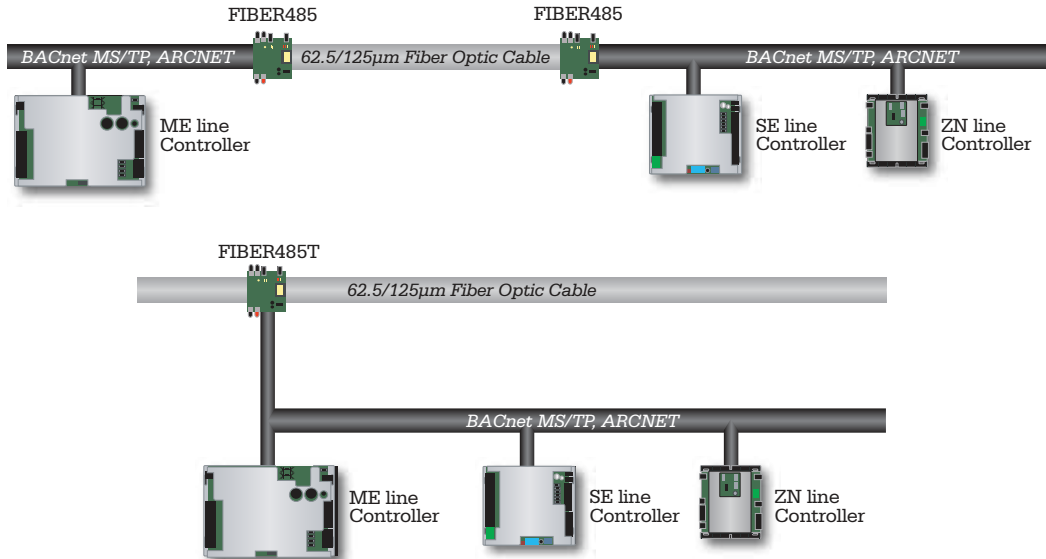
- Greatly extends the allowable length of CMnets, providing trouble-free building to building networking.
- Ensures clear communications even in noisy electrical environments.
- Eliminates differential ground potential problems between buildings.
- Provides isolation for high voltage surges caused by lightning or other catastrophic events.
- Can be used in series, hub and hybrid network configurations.
- Uses standard ST (straight tip) fiber optic connectors for easy set-up.
- Snap-track mounting simplifies installation.



AUTOMATEDLOGIC

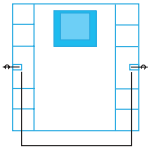
FIBER485

Specifications



Power:	24V-ac $\pm 10\%$, 250 mA (6.0VA), 50-60Hz.
Environmental Operating Range:	0° to 130°F (-17.8° to 54.4°C), 10%-90% RH non-condensing.
Ports:	Port A is EIA-485 (Net+, Net-, Gnd). Ports B and C are fiber (820nm, ST, 62.5/125µm). Port B is available only on a FIBER485T.
Listed By:	UL916 , CSA
Weight:	0.5 lb. (0.23 Kg)
Overall Dimensions:	4" (width) by 4" (height) by 1.65" (minimum panel depth). 101.6mm (width) by 101.6mm (height) by 41.9mm (minimum panel depth).

Mounting:



Provide at least 2.5 inches (6.4cm) clearance from each edge of the FIBER485T for wiring. For FIBER485, provide 2.5 inches (6.4cm) clearance from right side of snap track and 1.5 inches (3.8cm) clearance from left side.