



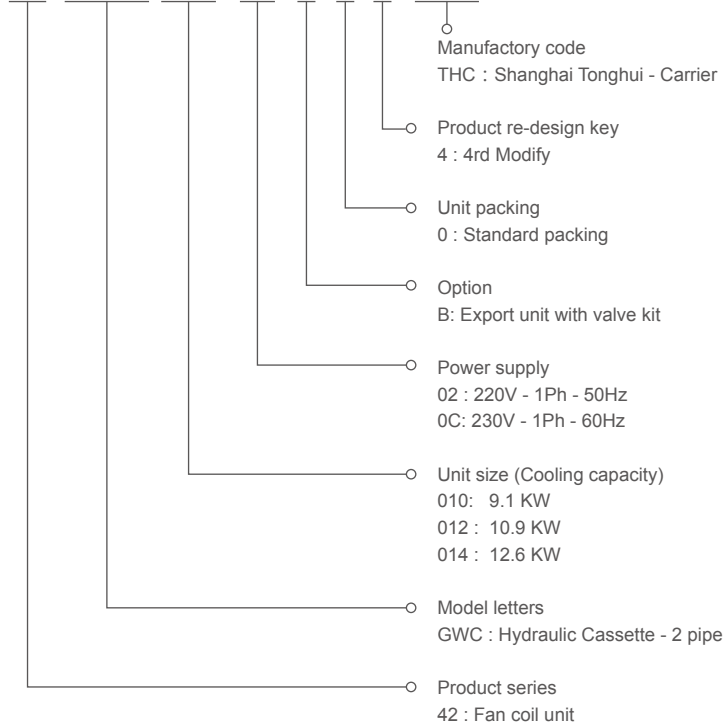
United Technologies
turn to the experts 



Model number nomenclature

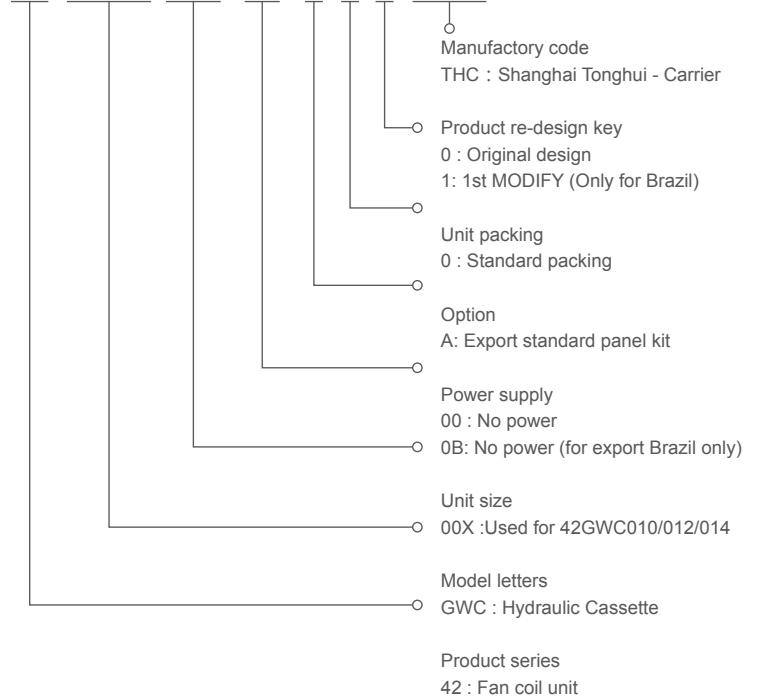
Unit body

42 GWC 010 02 B 0 4 THC



Panel

42 GWC 00X 00 A 0 0 THC



Technical data

Performance	Model	010	012	014
Normal air flow m ³ /h	H	1700	2040	2380
	M	1300	1570	1830
	L	1010	1210	1410
Cooling capacity W		9100	10900	12600
Heating capacity W		13700	16300	18900
Power input W		150	160	190
Noise level dB(A)	H	48	50	52
	M	45	47	49
	L	41	44	46
Water flow l/min		27.6	31	36
Coil rows		2	2	2
Water pressure drop kPa		30	35	50
Pipe connection inch		G3/4	G3/4	G3/4
Panel dimension mm		1050*1050		
Unit body dimension mm		930*930*290		
Panel weight kg		6.5	6.5	6.5
Unit body weight kg		43.5	43.5	43.5

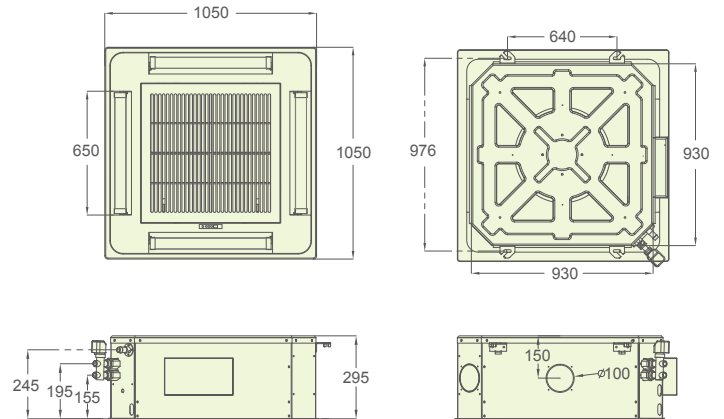
Note: 1. Cooling Conditions: 27°C DB/19.5°C WB entering air temperature, 7°C entering water and 5°C temperature rise.

Heating Conditions: 21°C entering air temperature, 60°C entering water temperature, the same water flow as the cooling conditions.

2. The noise is tested in the anechoic test room, measured with a fine audiometer located 1 meter away from the unit front panel and the unit bottom panel.

3. "Water pressure drop" don't include valve-kit pressure drop . 42GWC010/012/014 valve kit kv=2.5

Dimension



Electrical data

Power supply	Standard unit (220V-1Ph-50Hz)		
Model	010	012	014
Power input (W)	150	160	190
Current (A)	0.70	0.74	0.88

Wiring Diagram

